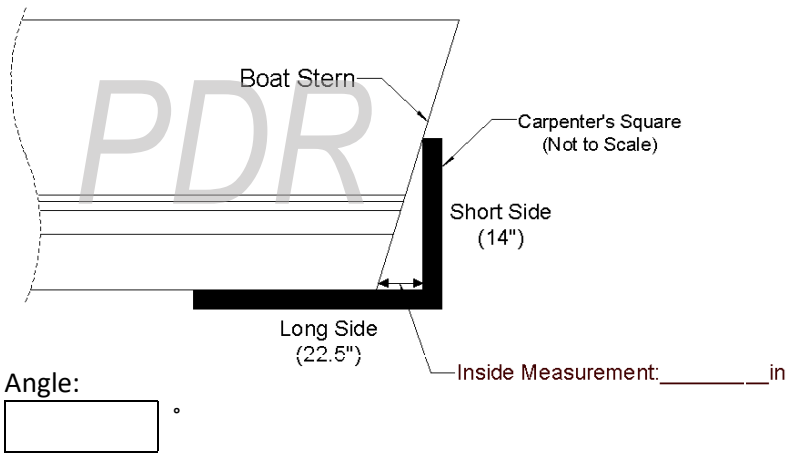


PDR Marine Fabrication Information Form

Customer Information			Boat Information		
Company			Year	Make	Model
Name			Length	Color	
Address			Options		Transom Information
City	State	Zip	<input type="checkbox"/> Single OB	<input type="checkbox"/> Rigging Tubes	<input type="checkbox"/> Crowned <input type="checkbox"/> Notched
Country			<input type="checkbox"/> Twin OB	<input type="checkbox"/> Main <input type="checkbox"/> Kicker	<input type="checkbox"/> Flat (Straight)
			<input type="checkbox"/> Catamaran	<input type="checkbox"/> Swim Ladder	Bracket Color
Phone			<input type="checkbox"/> Platform Port	<input type="checkbox"/> Port <input type="checkbox"/> STBD	*For bracket color please refer to RAL Color Chart.
Email			<input type="checkbox"/> Platform STBD	<input type="checkbox"/> Dive Ladder	
			<input type="checkbox"/> Kicker Standard	<input type="checkbox"/> Port <input type="checkbox"/> STBD	
			<input type="checkbox"/> Port <input type="checkbox"/> STBD <input type="checkbox"/> HD		

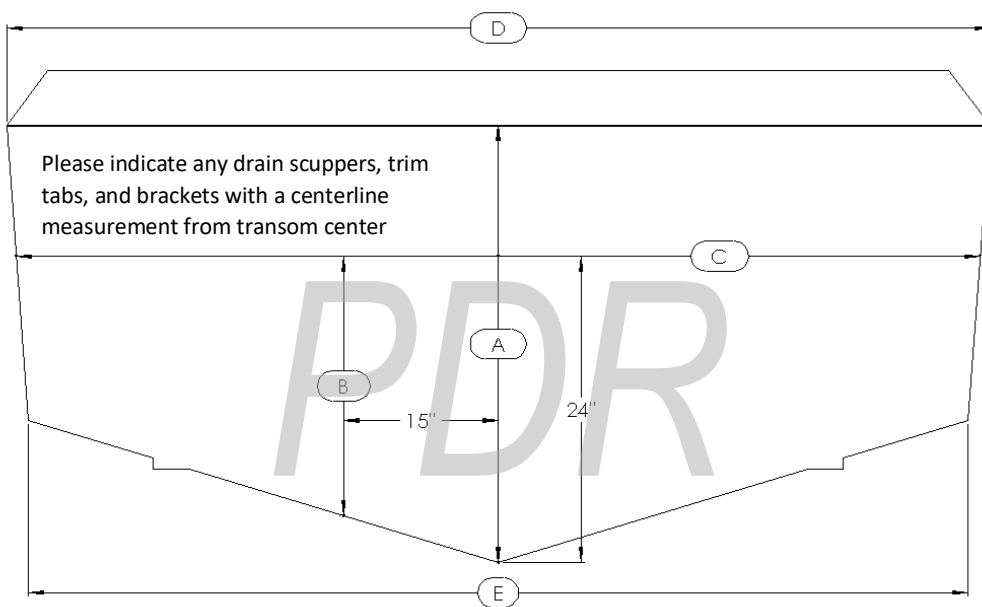
Transom Angle



1. Using a large carpenters square, place the long side (22.5) under the keel, position the short side (14") against the transom.
2. Measure between the inside corner of the square and the boat transom (see drawing).
3. $\frac{1}{4}" = 1^\circ$ transom angle

Note: The Carpenter's Square must be large (22.5" x 14")

Transom Measurements



Measurements
A.
B.
C.
D.
E.
Indicate/Draw Keel Shape:

Comments/Requests